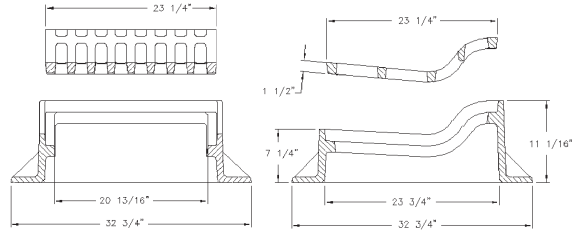
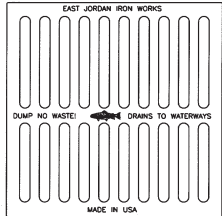
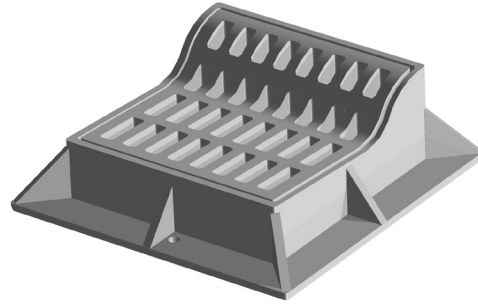


7490 CATCH BASIN CURB INLET

Heavy duty
 With Type M3 grate
 Approximate 230 sq. in. open area
 "DUMP NO WASTE!"
 lettering and fish image



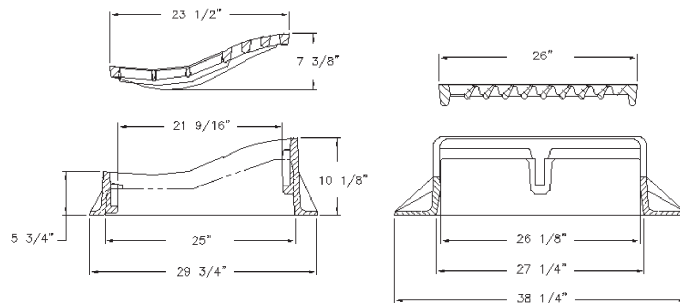
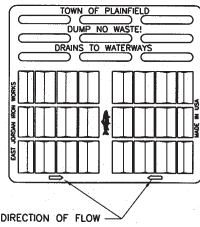
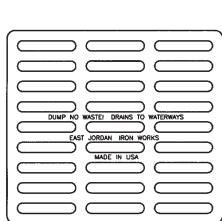
Type M1 Grate
 Approx. 220 sq. in.
 open area
 "DUMP NO WASTE!"
 lettering and fish
 image

7495 CATCH BASIN CURB INLET

Heavy duty
 With Type M1 right hand grate
 (M2 left hand)
 Approximate 250 sq. in. open area
 "DUMP NO WASTE!" lettering and fish image



Options
 Safety bar — 5235
 Round flange frame



Type M3 Grate
 Approx. 227 sq. in.
 open area
 "DUMP NO WASTE!"
 lettering

Type M4 Bidirectional Grate
 Approx. 185 sq. in.
 open area
 "DUMP NO WASTE!"
 lettering and fish
 image

Supplied By:



877-903-7246

www.trenchdrainsupply.com

